



# ILLUSTRATED PARTS BREAKDOWN

## <sup>GOLDEN</sup> COMPANION

MODELS: GC240, GC340, GC440



# **INDEX**

**DWG 1 - TILLER ASSEMBLY**

**DWG 2 – CHASSIS MOLDINGS**

**DWG 3 – FRONT CHASSIS**

**DWG 4 – STEERING SYSTEM**

**DWG 5 – REAR CHASSIS & DRIVE SYSTEM**

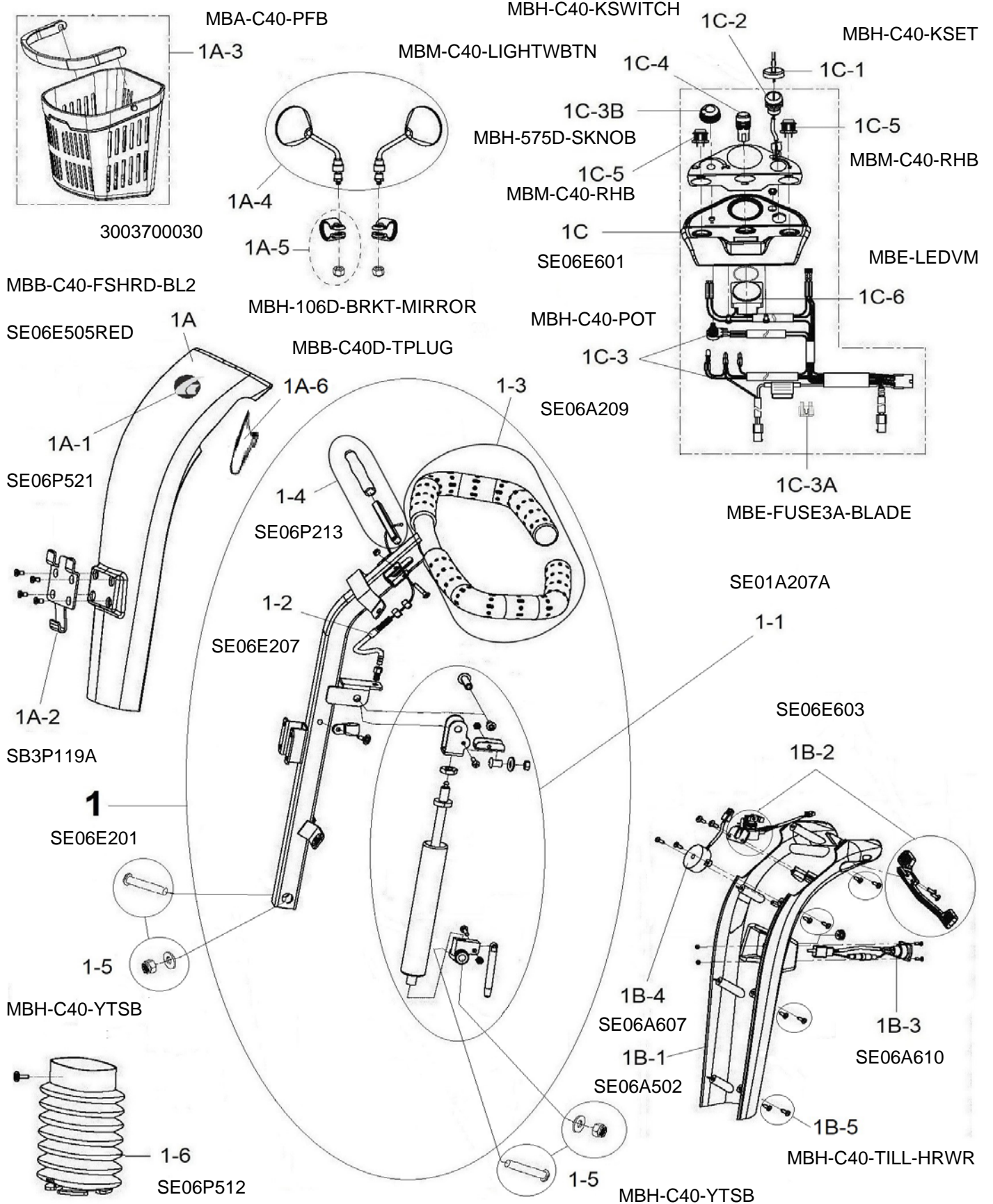
**DWG 6 - SEAT ASSEMBLY**

**DWG 7 – ELECTRICAL SYSTEM**

**MISCELLANEOUS ITEMS**

**ACCESSORIES**

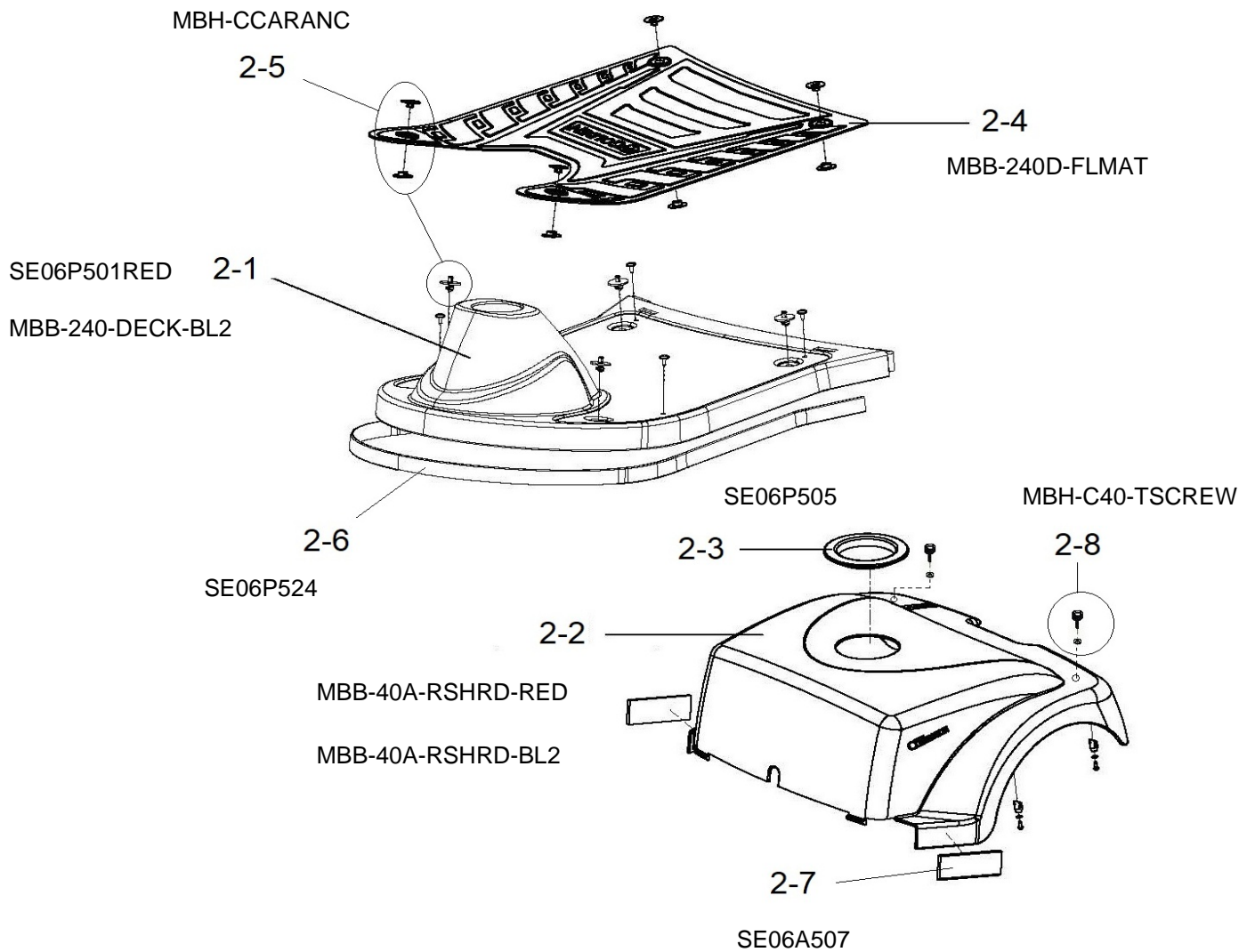
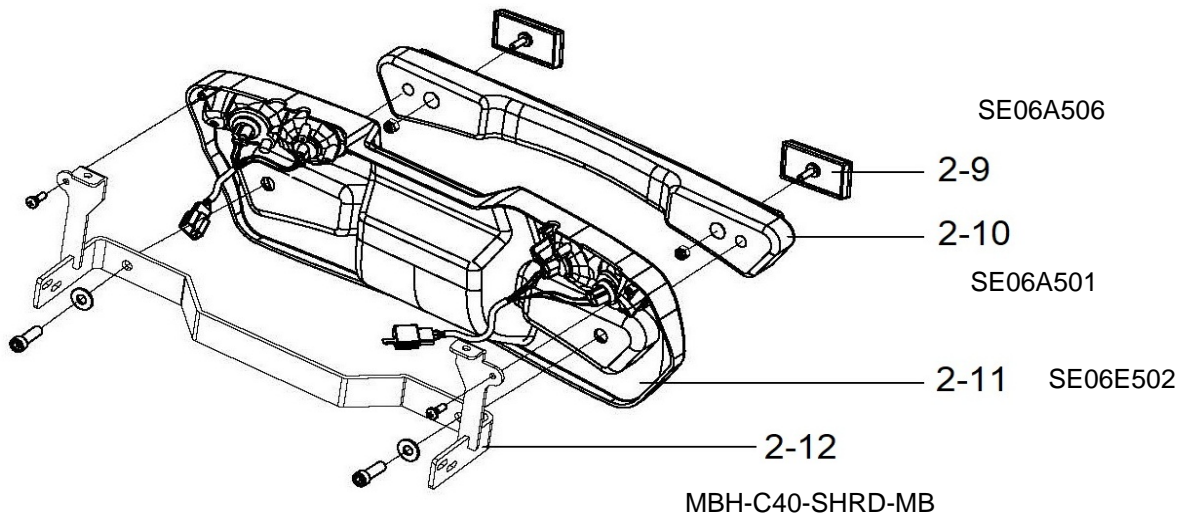
# TILLER ASSEMBLY – GC240, GC340, GC440



# TILLER ASSEMBLY – GC240, GC340, GC440

Dwg #	Golden Part Number	Description
1	SE06E201	Tiller, Complete Assembly with Shock w/o Plastic for Companion
1-1	SE01A207A	Shock, Tiller for GC240/340/440
1-2	SE06E207	Cable, Assembly Tiller Adjustment with Hardware for GC240/340/440
1-3	SE06A209	Handle, Tiller with Rubber Grips for 240/340/440
1-4	SE06P213	Handle, Tiller Adjustment for 240/340/440
1-5	MBH-C40-YTSB	Shoulder Bolt, Yoke/Tiller (M8x47mm), With Washer and Nut
1-6	SE06P512	Boot, Tiller for Companion GC240/340/440
1A	SE06E505RED	Shroud, Tiller Front Red for 240/340/440
1A	MBB-C40-FSHRD-BL2	Shroud, Tiller Front Blue 2 for 240/340/440
1A-1	SE06P521	Medallion, Golden Logo for Front Tiller Shroud for GC240/340/440
1A-2	SB3P119A	Plate, Basket Mounting for 240/340/440 and LiteRider GL110
1A-3	MBA-C40-PFB	Basket, Large Front Plastic
1A-4	3003700030	Mirror, Set Left and Right for Companion GC240/340/440 and Buzz 106 after January 2010
1A-5	MBH-106D-BRKT-MIRROR	Bracket, Mirror Mounting GB106-116-GL110-140-146
1A-6	MBB-C40D-TPLUG	Tiller Plug GC240-340-440
1B-1	SE06A502	Shroud, Tiller Rear Black for 240, 340, 440, Plastic Only
1B-2	SE06E603	Paddle, Complete Assembly with Potentiometer for Companion GC240/340/440
1B-3	SE06A610	Harness, Charger for 240/340/440
1B-4	SE06A607	Horn, for Companion GC240/340/440
1B-5	MBH-C40-TILL-HRWR	Hardware, Tiller Shroud Complete Set GC240-340-440
1C	SE06E601	Dashboard, Assembly for Companion GC240/340/440 with - set of Keys
1C-1	MBH-C40-KSET	Key Set of 2 with new cut for scooters
1C-2	MBH-C40-KSWITCH	Key Switch with new cut for scooters w/set of Keys
1C-3	MBE-C40-POT	Speed Potentiometer
1C-3A	MBE-FUSE3A-BLADE	Fuse Plastic Blade 3A Fast Acting 32VDC Voltage Rating
1C-3B	MBM-575D-SKNOB	Knob, Speed
1C-4	MBM-C40-LIGHTWBTN	Light White Button GC240-340-440
1C-5	MBM-C40-RHB	Red Horn Button GC240-340-440
1C-6	MBE-LEDVM	Voltmeter, LED

# CHASSIS MOLDINGS – GC240

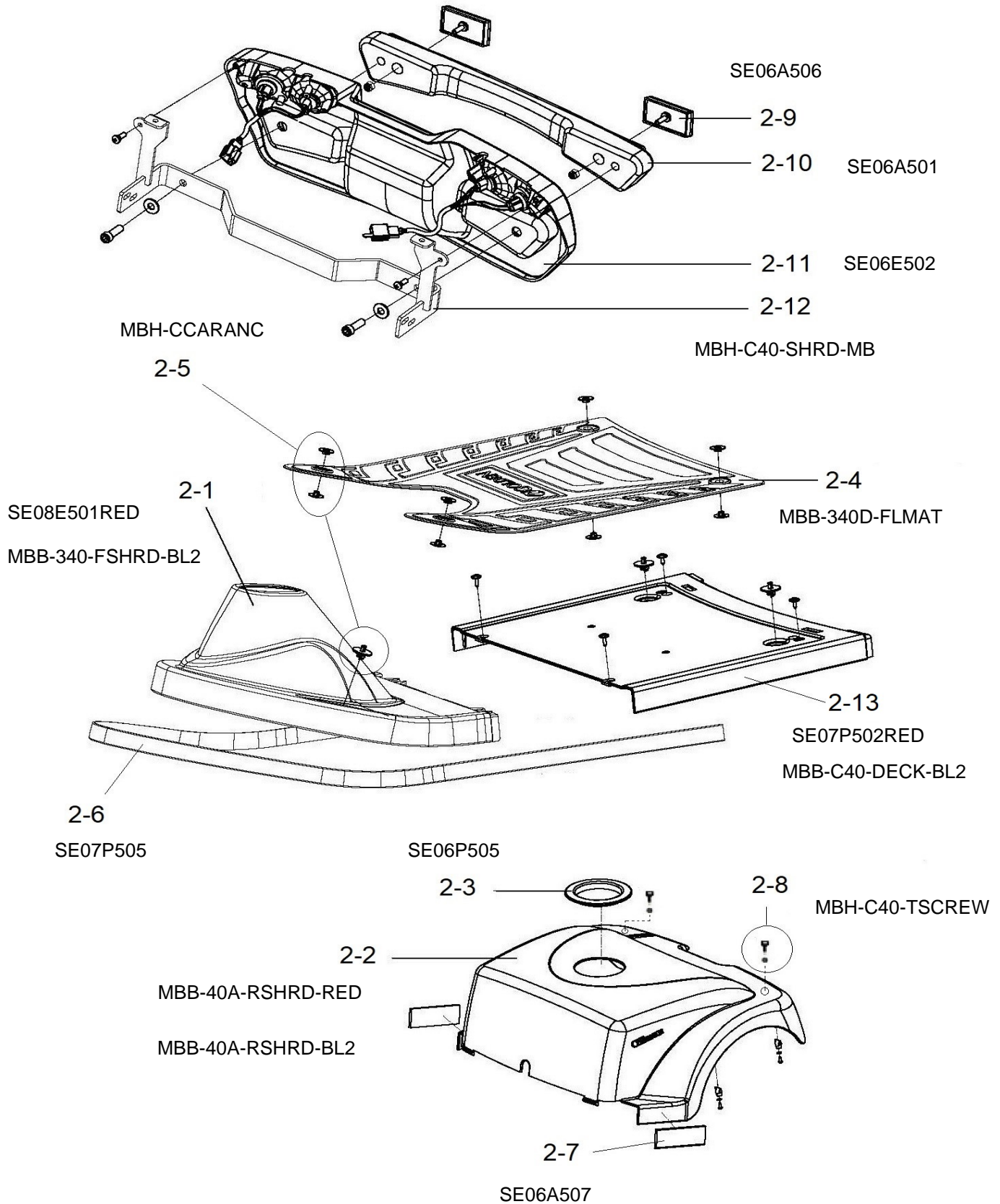




## CHASSIS MOLDINGS – GC240

<b>Dwg #</b>	<b>Golden Part Number</b>	<b>Description</b>
2-1	<b>SE06P501RED</b>	Deck, Red for 240
2-1	<b>MBB-240-DECK-BL2</b>	Deck Blue2 240
2-2	<b>MBB-40A-RSHRD-RED</b>	Shroud, Rear RED for 240A-340A-440A
2-2	<b>MBB-40A-RSHRD-BL2</b>	Shroud, Rear BL2 for 240A-340A-440A
2-3	<b>SE06P505</b>	Ring, Protective Rubber for Rear Shroud for GC240/340/440
2-4	<b>MBB-240D-FLMAT</b>	Rubber Floor Mat Assembly 240D
2-5	<b>MBH-CCARANC</b>	Anchor, In Deck Carpet for Companion GC221/321/421/240/340/440 and Buzz GB106
2-6	<b>SE06P524</b>	Trim, Companion GC240
2-7	<b>SE06A507</b>	Reflector, Assembly Side Yellow w/Adhesive Backing for Companion GC240/340/440
2-8	<b>MBH-C40-TSCREW</b>	Thumb Screw for Companion Rear Shroud
2-9	<b>SE06A506</b>	Reflector, Rear Red for 240/340/440
2-10	<b>SE06A501</b>	Bumper, Rear Handle for 240/340/440
2-11	<b>SE06E502</b>	Tail Light Assembly (Pin-Style) (Includes Both Tail Lights and Plastic) for 240, 340, 440
2-12	<b>MBH-C40-SHRD-MB</b>	Rear Shroud Mounting Bracket

# CHASSIS MOLDINGS –GC340

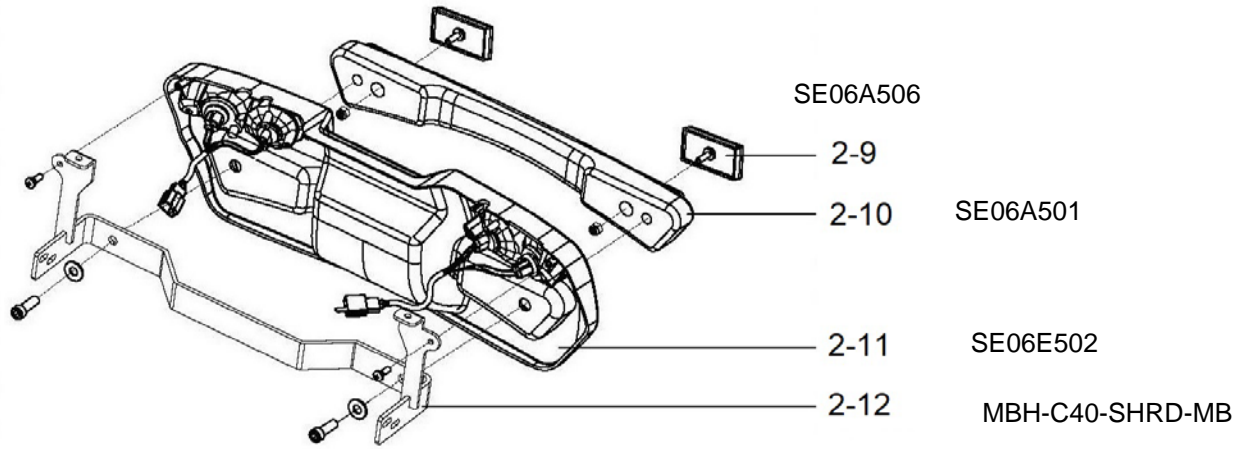


## CHASSIS MOLDINGS – GC340

<b>Dwg #</b>	<b>Golden Part Number</b>	<b>Description</b>
2-1	<b>SE08E501RED</b>	Deck, Red for 340
2-1	<b>MBB-340-FSHRD-BL2</b>	Deck Blue2 340
2-2	<b>MBB-40A-RSHRD-RED</b>	Shroud, Rear RED for 240A-340A-440A
2-2	<b>MBB-40A-RSHRD-BL2</b>	Shroud, Rear BL2 for 240A-340A-440A
2-3	<b>SE06P505</b>	Ring, Protective Rubber for Rear Shroud for GC240/340/440
2-4	<b>MBB-340D-FLMAT</b>	Rubber Floor Mat Assembly 340D
2-5	<b>MBH-CCARANC</b>	Anchor, In Deck Carpet for Companion GC221/321/421/240/340/440 and Buzz GB106
2-6	<b>SE07P505</b>	Trim, Companion GC340
2-7	<b>SE06A507</b>	Reflector, Assembly Side Yellow w/Adhesive Backing for Companion GC240/340/440
2-8	<b>MBH-C40-TSCREW</b>	Thumb Screw for Companion Rear Shroud
2-9	<b>SE06A506</b>	Reflector, Rear Red for 240/340/440
2-10	<b>SE06A501</b>	Bumper, Rear Handle for 240/340/440
2-11	<b>SE06E502</b>	Tail Light Assembly (Pin-Style) (Includes Both Tail Lights and Plastic) for 240, 340, 440
2-12	<b>MBH-C40-SHRD-MB</b>	Rear Shroud Mount Bracket
2-13	<b>SE07P502RED</b>	Deck, Mid Section Red for 340/440
2-13	<b>MBB-C40-DECK-BL2</b>	Deck Mid Section Blue2 340-440



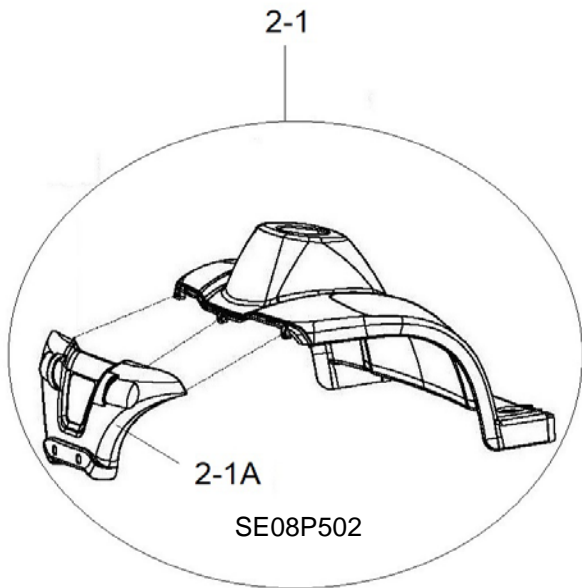
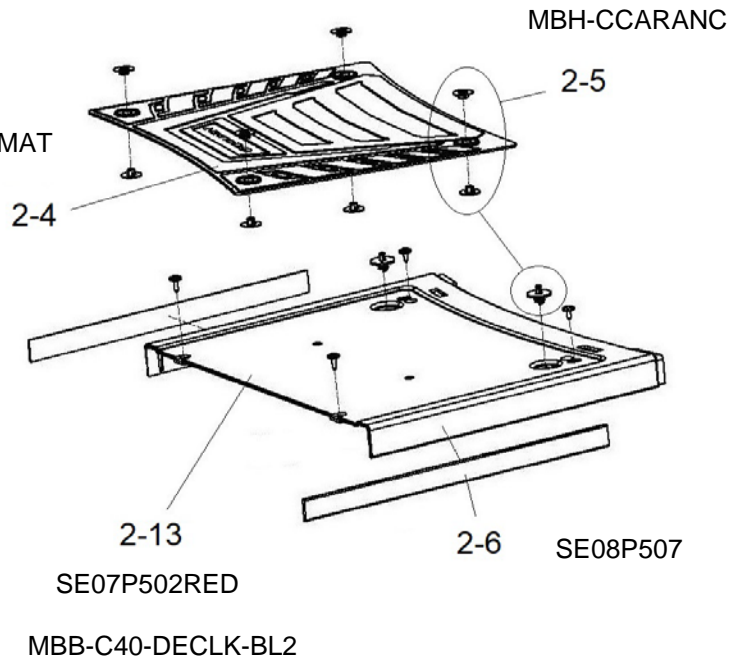
# CHASSIS MOLDINGS – GC440



SE08E501RED  
 MBB-340-FSHRD-BL2

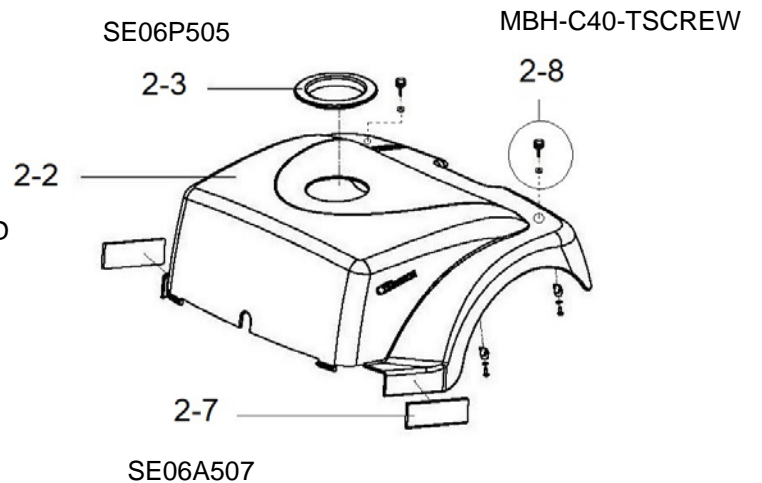
MBB-340D-FLMAT

MBH-CCARANC



MBB-40A-RSHRD-RED

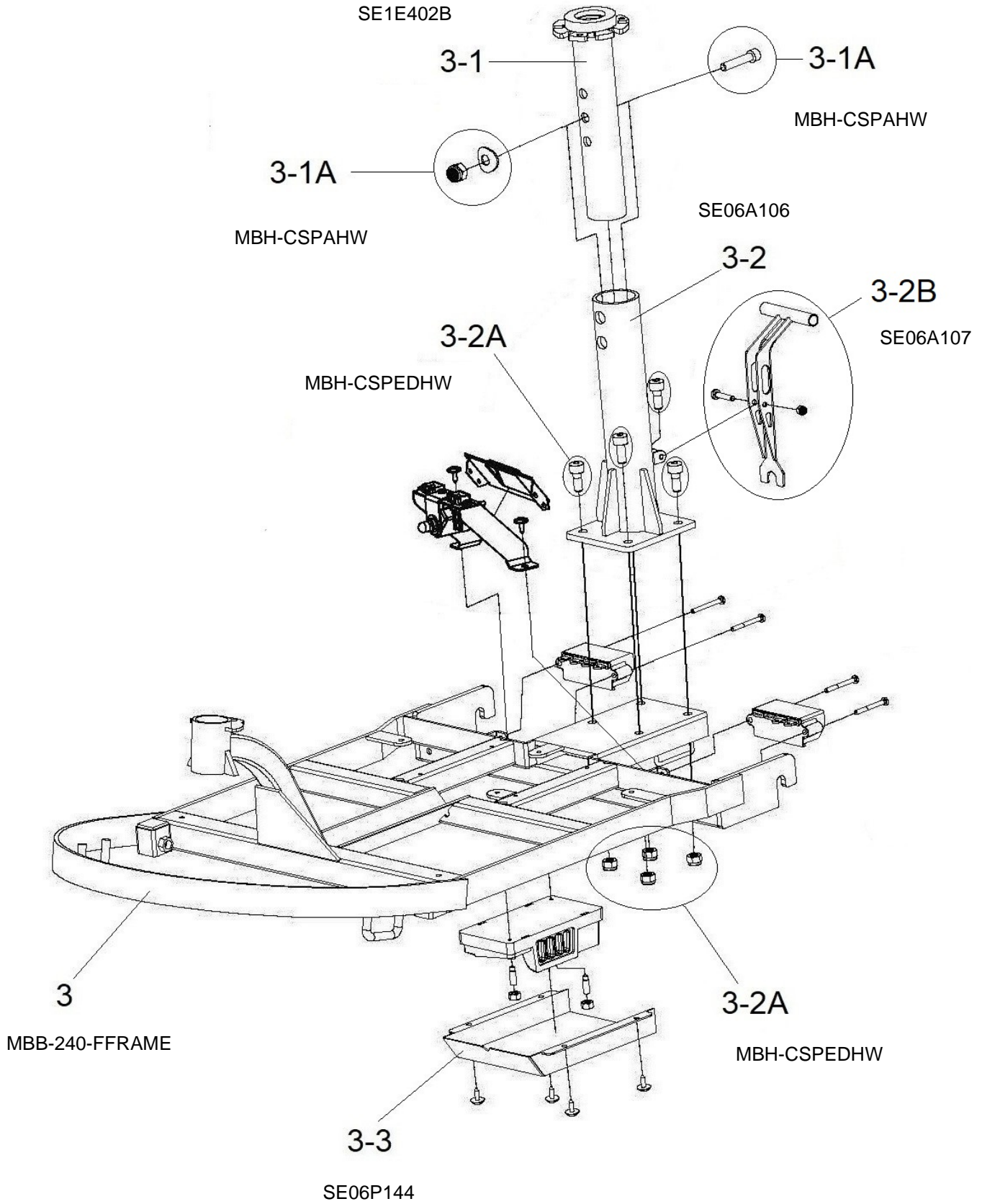
MBB-40A-RSHRD-BL2



## CHASSIS MOLDINGS – GC440

<b>Dwg #</b>	<b>Golden Part Number</b>	<b>Description</b>
2-1	<b>SE08E501RED</b>	Deck, Red for 440
2-1	<b>MBB-340-FSHRD-BL2</b>	Deck Blue2 440
2-1A	<b>SE08P502</b>	Bumper, Front for 440
2-2	<b>MBB-40A-RSHRD-RED</b>	Shroud, Rear RED for 240A-340A-440A
2-2	<b>MBB-40A-RSHRD-BL2</b>	Shroud, Rear BL2 for 240A-340A-440A
2-3	<b>SE06P505</b>	Ring, Protective Rubber for Rear Shroud for GC240/340/440
2-4	<b>MBB-340D-FLMAT</b>	Rubber Floor Mat Assembly 340D
2-5	<b>MBH-CCARANC</b>	Anchor, In Deck Carpet for Companion GC221/321/421/240/340/440 and Buzz GB106
2-6	<b>SE08P507</b>	Trim, Companion GC440
2-7	<b>SE06A507</b>	Reflector, Assembly Side Yellow w/Adhesive Backing for Companion GC240/340/440
2-8	<b>MBH-C40-TSCREW</b>	Thumb Screw for Companion Rear Shroud
2-9	<b>SE06A506</b>	Reflector, Rear Red for 240/340/440
2-10	<b>SE06A501</b>	Bumper, Rear Handle for 240/340/440
2-11	<b>SE06E502</b>	Tail Light Assembly (Pin-Style) (Includes Both Tail Lights and Plastic) for 240, 340, 440
2-12	<b>MBH-C40-SHRD-MB</b>	Rear Shroud Mounting Bracket
2-13	<b>SE07P502RED</b>	Deck, Mid Section Red for 340/440
2-13	<b>MBB-C40-DECK-BL2</b>	Deck Mid Section Blue2 340-440

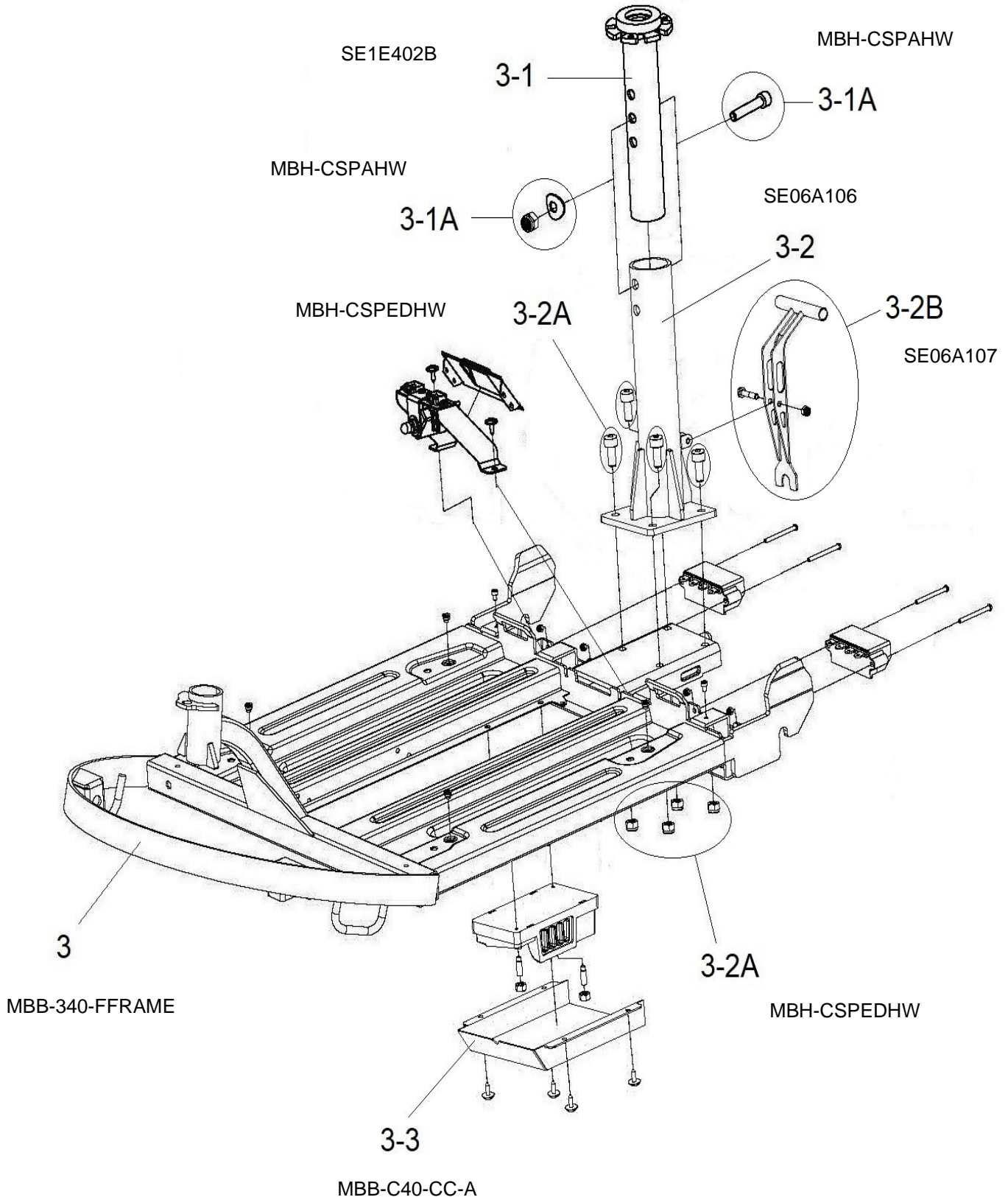
# FRONT CHASSIS – GC240



## FRONT CHASSIS – GC240

Dwg #	Golden Part Number	Description
3	<b>MBB-240-FFRAME</b>	Frame, Front Assemblies for 240A-240C
3-1	<b>SE1E402B</b>	Post, Seat for Companion GC240/340/440/221/321/421
3-1A	<b>MBH-CSPAHW</b>	Hardware, Seat Post Mounting for Companion GC240/340/440 and GC221/321/421
3-2	<b>SE06A106</b>	Pedestal, Seat for Companion GC240/340/440
3-2A	<b>MBH-CSPEDHW</b>	Hardware, Seat Pedestal Mounting for Companion
3-2B	<b>SE06A107</b>	Handle, Frame Frame Release for Companion GC240/340/440
3-3	<b>SE06P144</b>	Cover, Controller

# FRONT CHASSIS – GC340

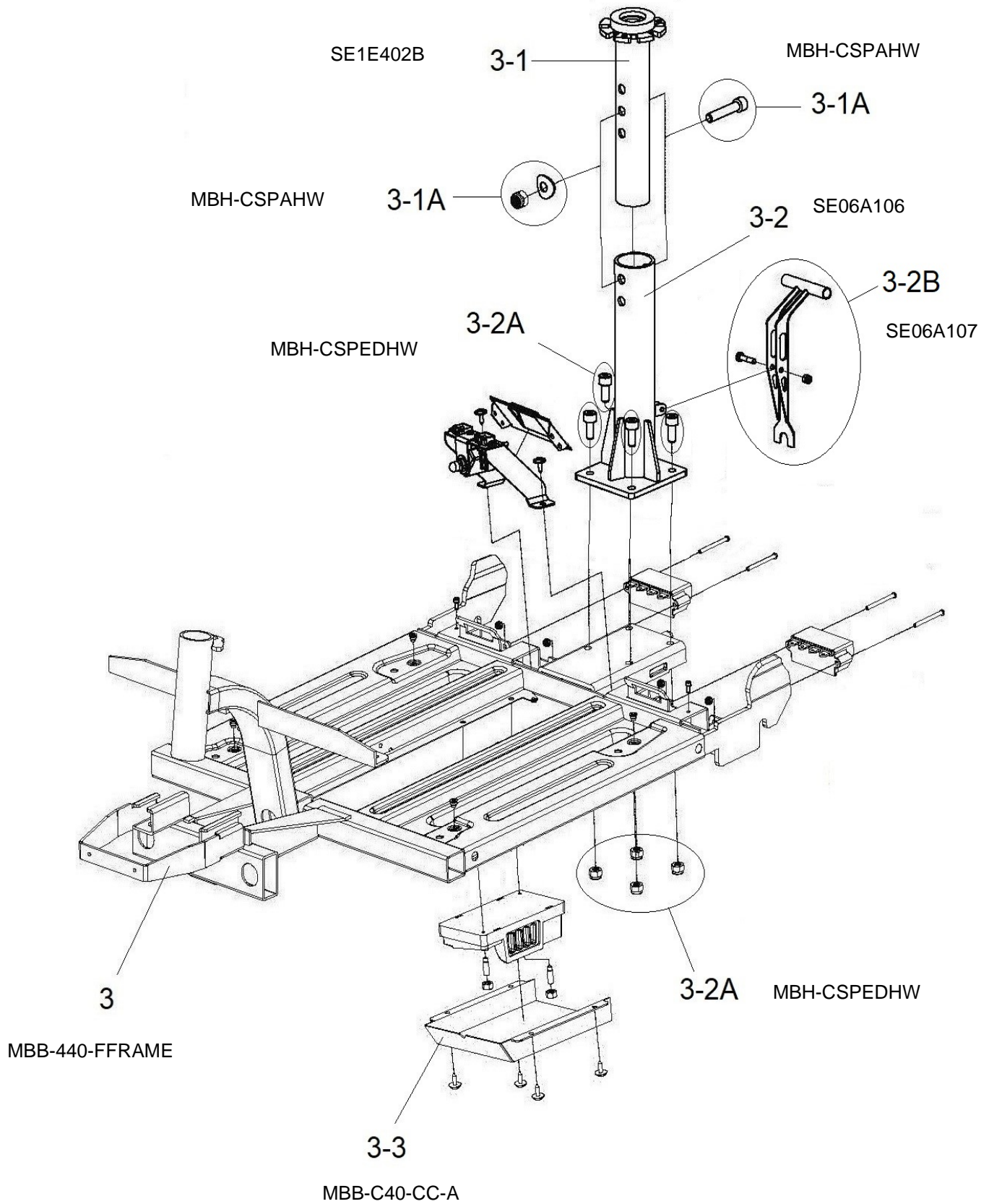




# FRONT CHASSIS – GC340

Dwg #	Golden Part Number	Description
3	<b>MBB-340-FFRAME</b>	Frame, Front Assemblies for 340A-340C
3-1	<b>SE1E402B</b>	Post, Seat for Companion GC240/340/440/221/321/421
3-1A	<b>MBH-CSPAHW</b>	Hardware, Seat Post Mounting for Companion GC240/340/440 and GC221/321/421
3-2	<b>SE06A106</b>	Pedestal, Seat for Companion GC240/340/440
3-2A	<b>MBH-CSPEDHW</b>	Hardware, Seat Pedestal Mounting for Companion
3-2B	<b>SE06A107</b>	Handle, Frame Release for Companion GC240/340/440
3-3	<b>MBB-C40-CC-A</b>	Cover, Companion Controller VA_DME

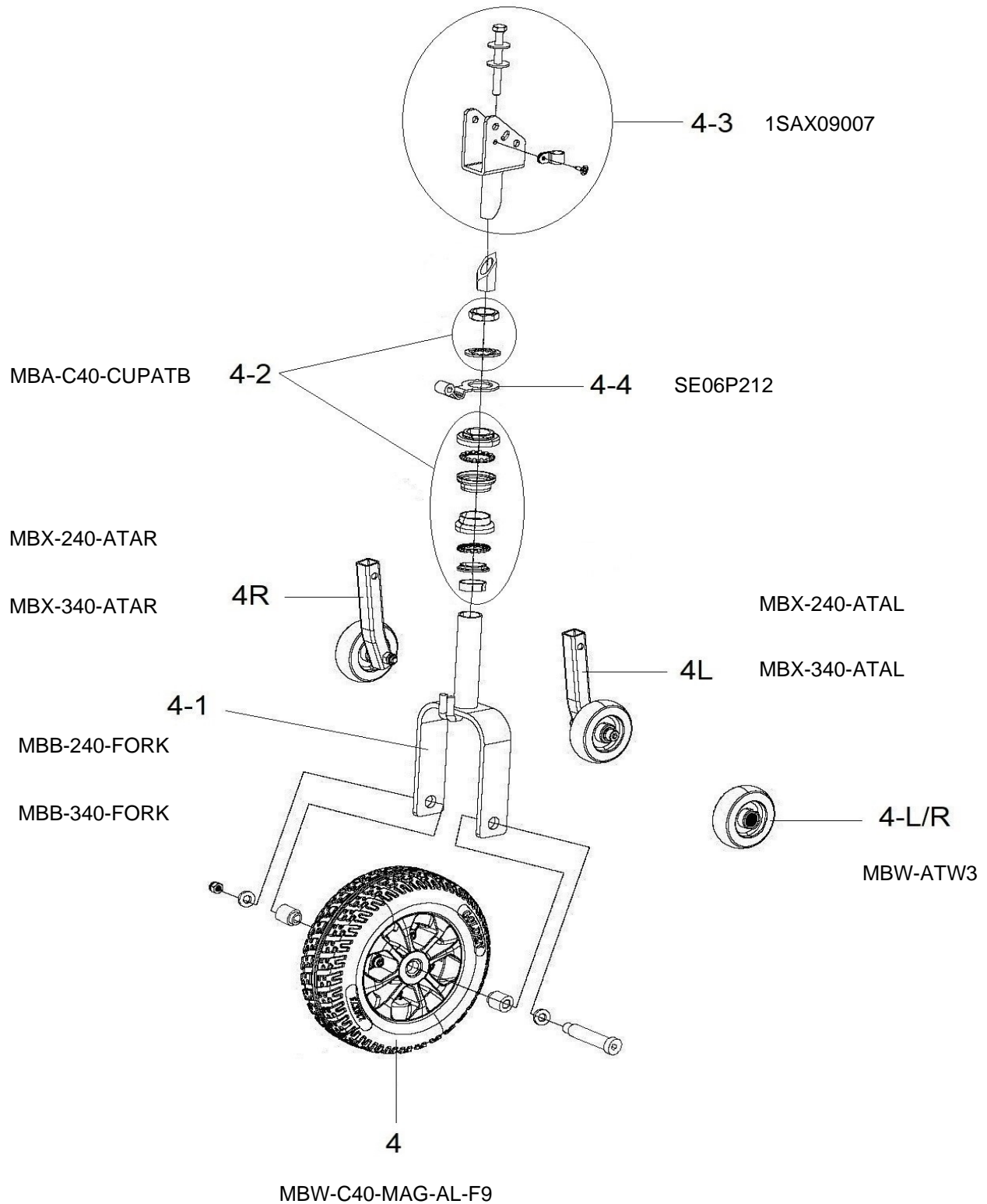
# FRONT CHASSIS – GC440



## FRONT CHASSIS – GC440

Dwg #	Golden Part Number	Description
3	<b>MBB-440-FFRAME</b>	Frame, Front Assemblies for 440A-440C
3-1	<b>SE1E402B</b>	Post, Seat for Companion GC240/340/440/221/321/421
3-1A	<b>MBH-CSPAHW</b>	Hardware, Seat Post Mounting for Companion GC240/340/440/ and GC221/321/421
3-2	<b>SE06A106</b>	Pedestal, Seat for Companion GC240/340/440
3-2A	<b>MBH-CSPEDHW</b>	Hardware, Seat Pedestal Mounting for Companion
3-2B	<b>SE06A107</b>	Handle, Frame Release for Companion GC240/340/440
3-3	<b>MBB-C40-CC-A</b>	Cover, Companion Controller VA_DME

# STEERING SYSTEM – GC240, GC340

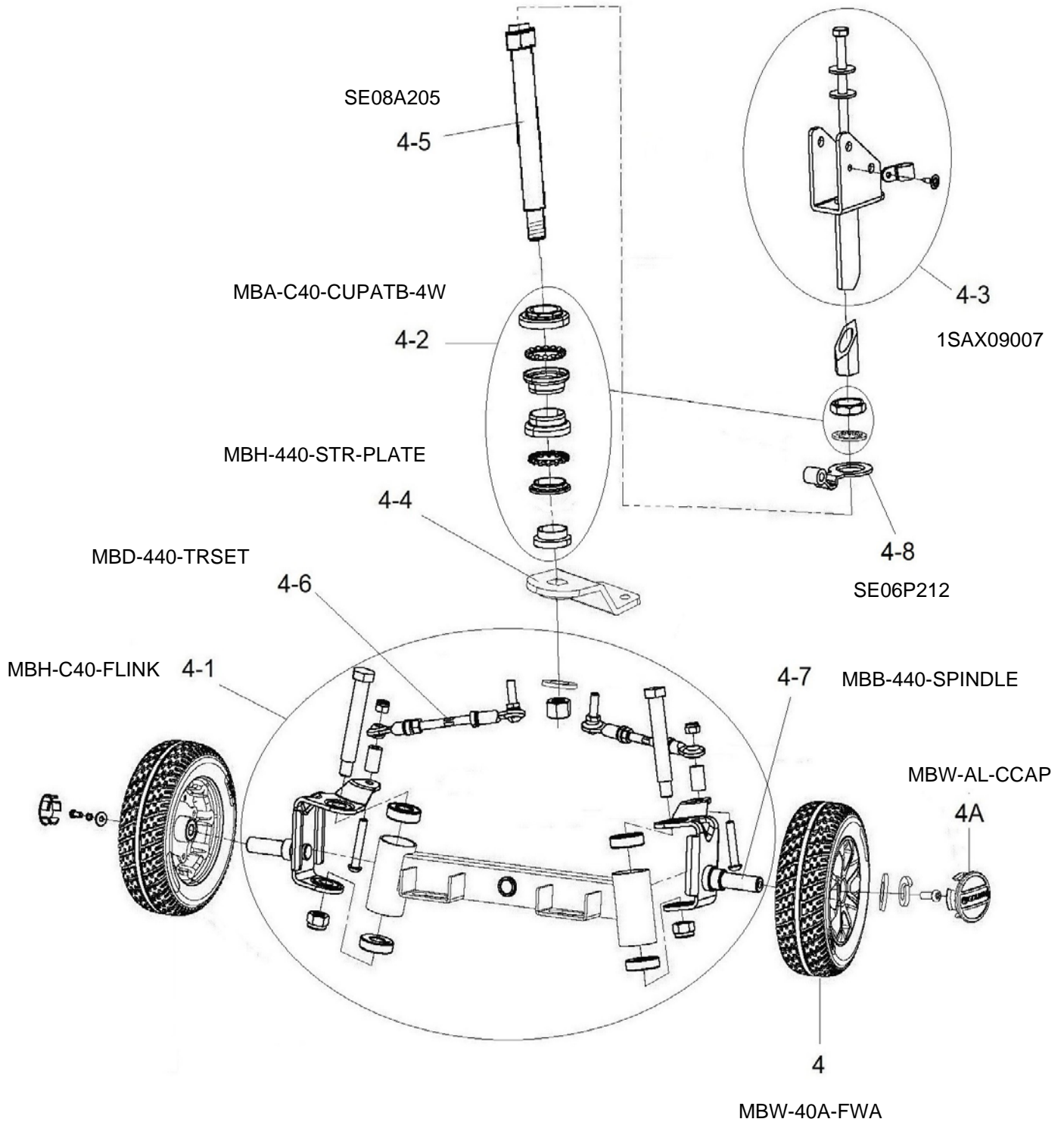


## STEERING SYSTEM – GC240, GC340

<b>Dwg #</b>	<b>Golden Part Number</b>	<b>Description</b>
4	<b>MBW-C40-MAG-AL-F9</b>	Wheel, 9" Companion Front
4-1	<b>MBB-240-FORK</b>	Fork for 240A - 240C
4-1	<b>MBB-340-FORK</b>	Fork for 340A - 340C
4-2	<b>MBA-C40-CUPATB</b>	Cup Assembly Top and Bottom, Includes Bearings 240/340/111
4-3	<b>1SAX09007</b>	Yoke, Tiller Assembly for Companion GC240/340/440
4-L	<b>MBX-240-ATAL</b>	Front Anti Tip Assembly, Left, Includes Wheel and Hardware
4-L	<b>MBX-340-ATAL</b>	Front Anti Tip Assembly, Left, Includes Wheel and Hardware
4-R	<b>MBX-240-ATAR</b>	Front Anti Tip Assembly, Right, Includes Wheel and Hardware
4-R	<b>MBX-340-ATAR</b>	Front Anti Tip Assembly, Right, Includes Wheel and Hardware
4-L/R	<b>MBW-ATW3</b>	Wheel Anti Tip 3 Inch
4-4	<b>SE06P212</b>	Bracket, Headlight Mounting for 240/340/440



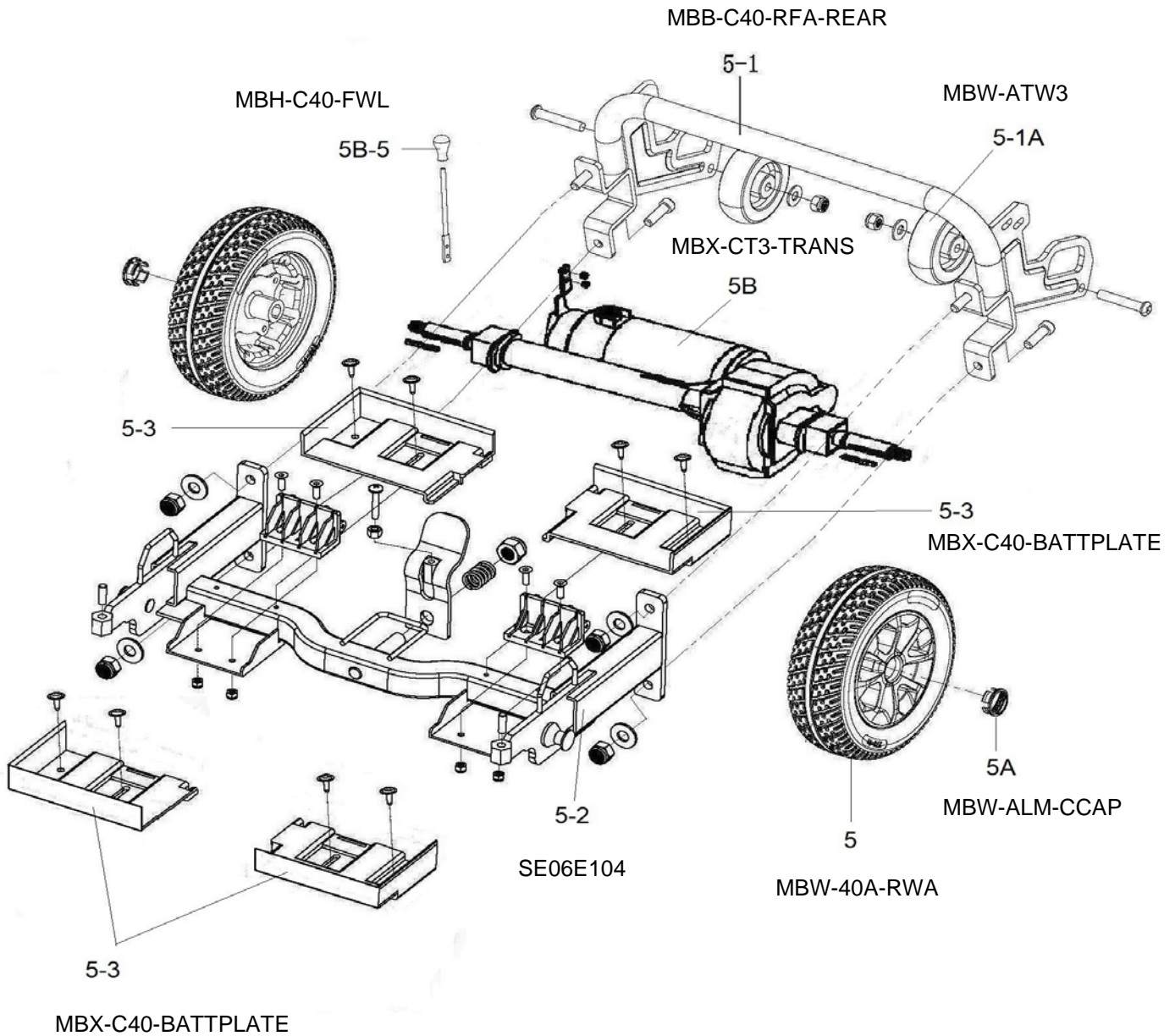
# STEERING SYSTEM – GC440



# STEERING SYSTEM – GC440

Dwg #	Golden Part Number	Description
4	<b>MBW-40A-FWA</b>	Assembly, Front Wheel 10.75
4A	<b>MBW-AL-CCAP</b>	Center Cap for Aluminum Mag
4-1	<b>MBH-C40-FLINK</b>	Linkage, Front GC440A/C with Bolt
4-2	<b>MBA-C40-CUPATB-4W</b>	Cup Assembly Top and Bottom, Includes Bearings 440/141
4-3	<b>1SAX09007</b>	Yoke, Tiller Assembly for Companion GC240/340/440
4-4	<b>MBH-440-STR-PLATE</b>	Steering Plate for GC440A_C
4-5	<b>SE08A205</b>	Crank, Bell (Connects Tiller to Steering) for Companion GC440
4-6	<b>MBD-440-TRSET</b>	Tie Rod, Set Left and Right for Companion GC440
4-7	<b>MBB-440-SPINDLE</b>	Spindle, Right and Left Set for Companion GC440
4-8	<b>SE06P212</b>	Bracket, Headlight Mounting for 240/340/440

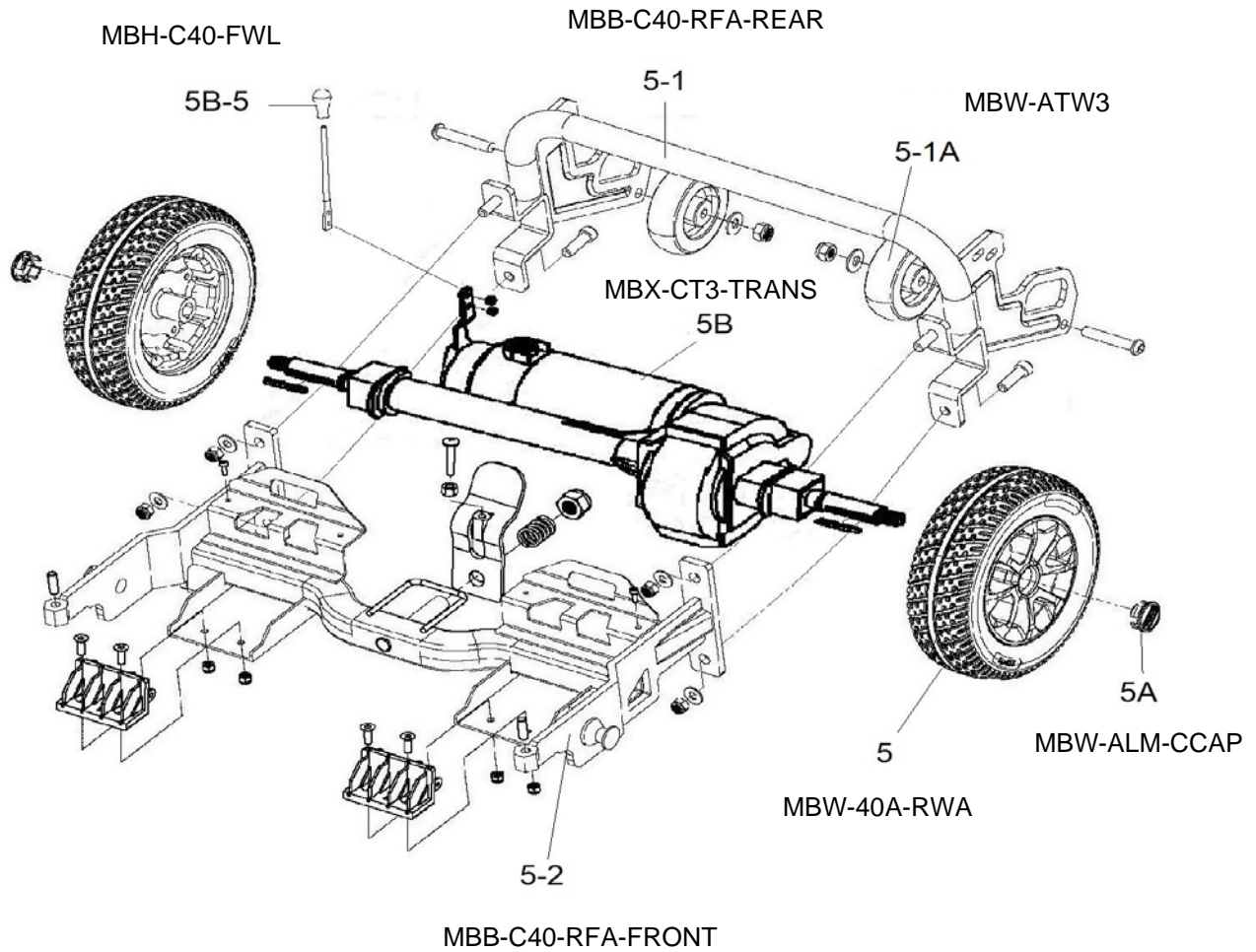
# REAR CHASSIS & DRIVE SYSTEM - GC240



# REAR CHASSIS & DRIVE SYSTEM - GC240

Dwg #	Golden Part Number	Description
5	<b>MBW-40A-RWA</b>	Assembly, Rear Wheel 10.75
5A	<b>MBW-ALM-CCAP</b>	Center Cap for Aluminum Mag
5-1	<b>MBB-C40-RFA-REAR</b>	Rear Tail Frame Assembly
5-1A	<b>MBW-ATW3</b>	Wheel Anti Tip 3 Inch
5-2	<b>SE06E104</b>	Frame, Rear Assembly (Connects to Front Frame)
5-3	<b>MBX-C40-BATTPLATE</b>	Plate, Battery ABS Black Left and Right for GC240
5B	<b>MBX-CT3-TRANS</b>	Transaxle, CT3
5B-5	<b>MBH-C40-FWL</b>	Free Wheel Lever, 240A-340A-440A

# REAR CHASSIS & DRIVE SYSTEM - GC340, GC440

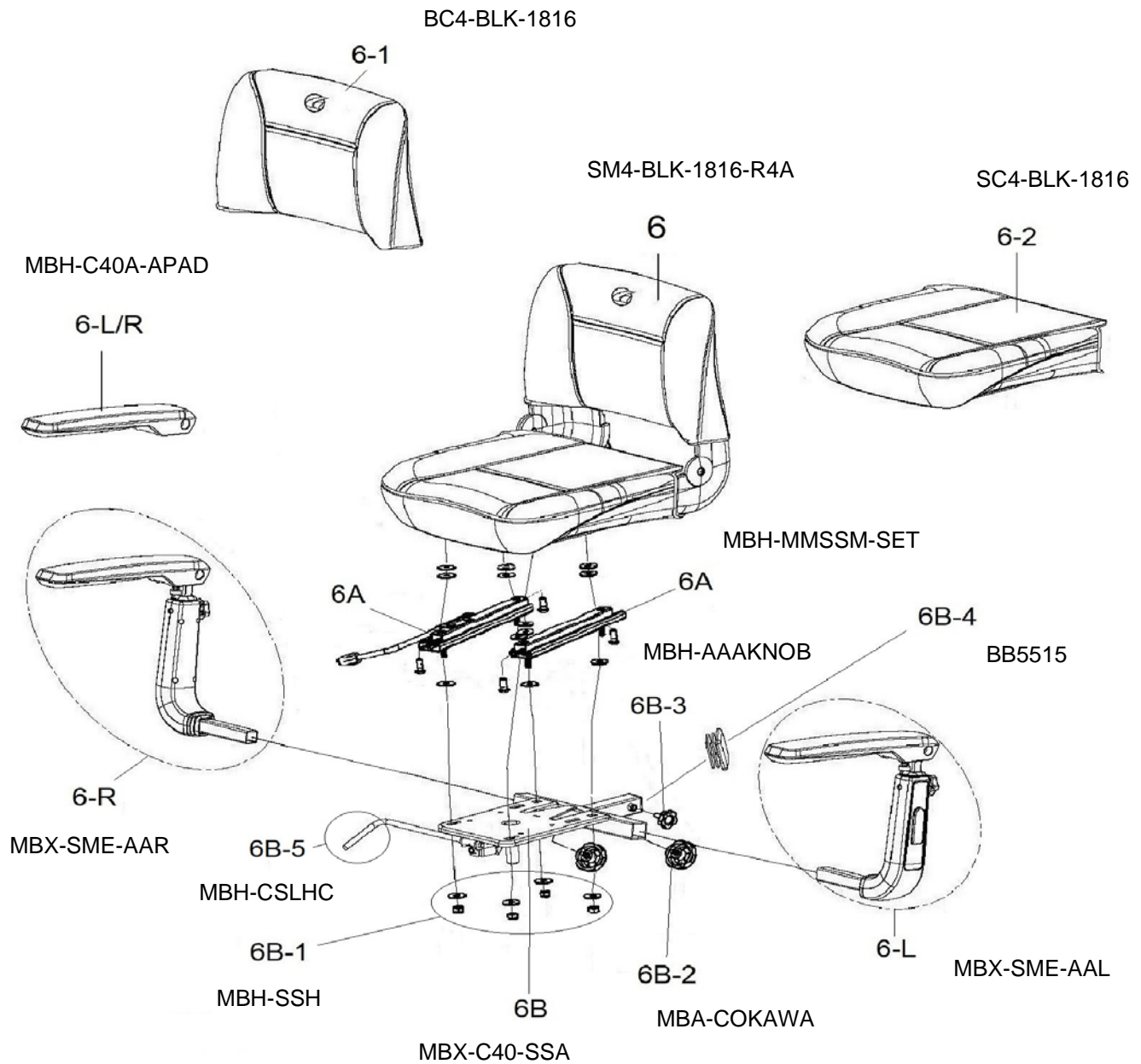




# REAR CHASSIS & DRIVE SYSTEM - GC340, GC440

<b>Dwg #</b>	<b>Golden Part Number</b>	<b>Description</b>
5	<b>MBW-40A-RWA</b>	Assembly, Rear Wheel 10.75
5A	<b>MBW-ALM-CCAP</b>	Center Cap for Aluminum Mag
5-1	<b>MBB-C40-RFA-REAR</b>	Rear Tail Frame Assembly
5-1A	<b>MBW-ATW3</b>	Wheel Anti Tip 3 Inch
5-2	<b>MBB-C40-RFA-FRONT</b>	Rear Frame Assembly Attaches to Front
5B	<b>MBX-CT3-TRANS</b>	Transaxle, CT3
5B-5	<b>MBH-C40-FWL</b>	Free Wheel Lever, 240A-340A-440A

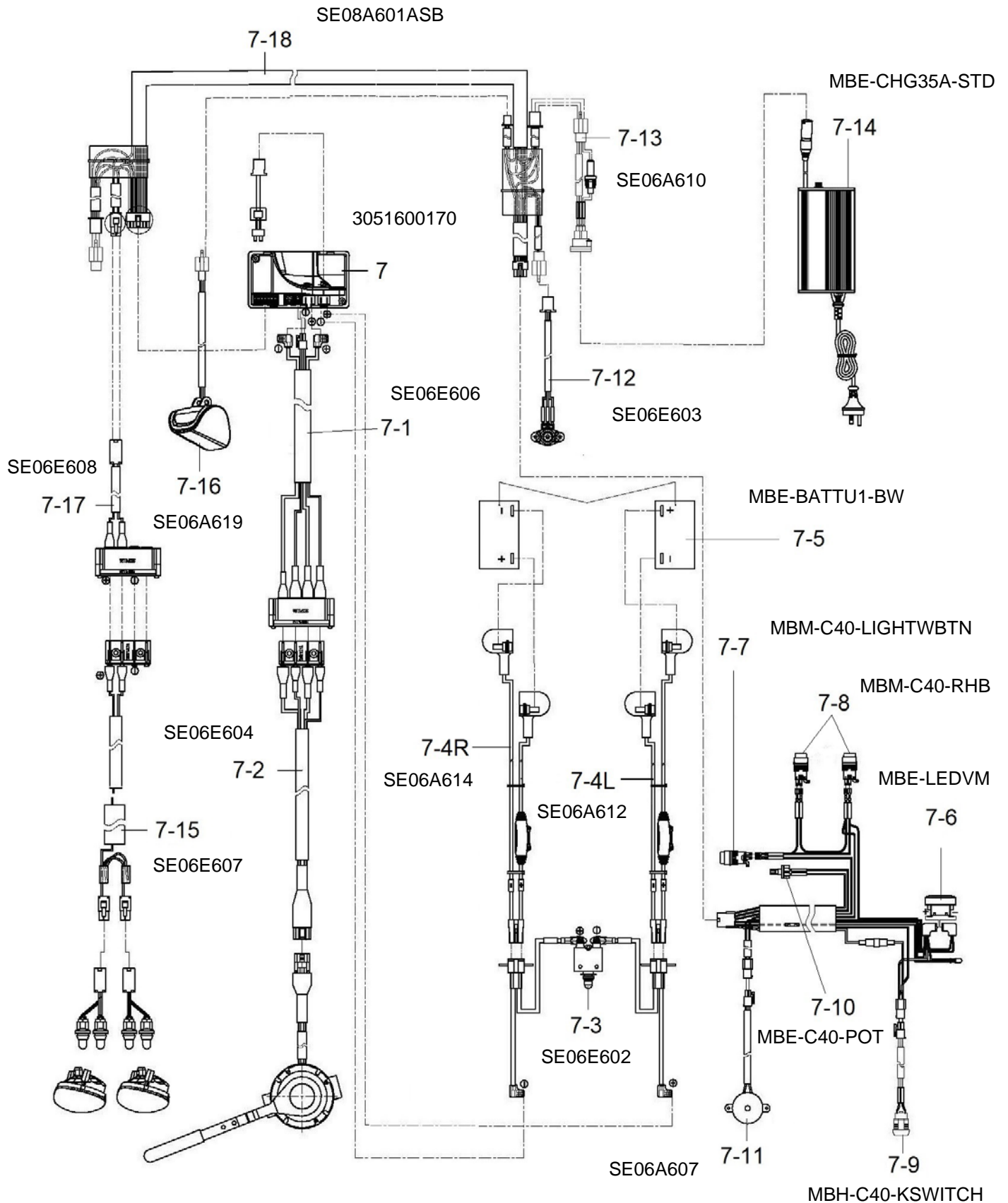
# SEAT ASSEMBLY – GC240, GC340, GC440



# SEAT ASSEMBLY – GC240, GC340, GC440

Dwg #	Golden Part Number	Description
6	<b>SM4-BLK-1816-R4A</b>	Seat S4 Stadium Assembly Lock with Slide Black 18W x 16D
6-1	<b>BC4-BLK-1816</b>	Cover, Back Assembly for 18W x 16D SM4 Black Seat
6-2	<b>SC4-BLK-1816</b>	Cover, Seat Assembly for 18W x 16D SM4 Black Seat
6A	<b>MBH-MMSSM</b>	Slide, Seat Mechanism Complete with Hardware for Companion GC221/321/421/240/340/440
6B	<b>MBX-C40-SSA</b>	Seat Swivel with Built In Lock Mechanism
6B-1	<b>MBH-SSH</b>	Seat Swivel Hardware (Add Seat Part Number In Comments)
6B-2	<b>MBA-COKAWA</b>	Knob, Arm Width Adjustment
6B-3	<b>MBH-AAAKNOB</b>	Knob, Arm Adjustment for Alante, Companion, and Buzz
6B-4	<b>BB5515</b>	Cap, 1" Square End Cap 10-14 Gauge Black
6B-5	<b>MBH-CSLHC</b>	Cover, Swivel Lever Handle Rubber "UP TO ROTATE" for Companion GC-All
6-L	<b>MBX-SME-AAL</b>	Arm Rest Assembly Left with Pad
6-R	<b>MBX-SME-AAR</b>	Arm Rest Assembly Right with Pad
6-L/R	<b>MBH-C40A-APAD</b>	Arm Pad

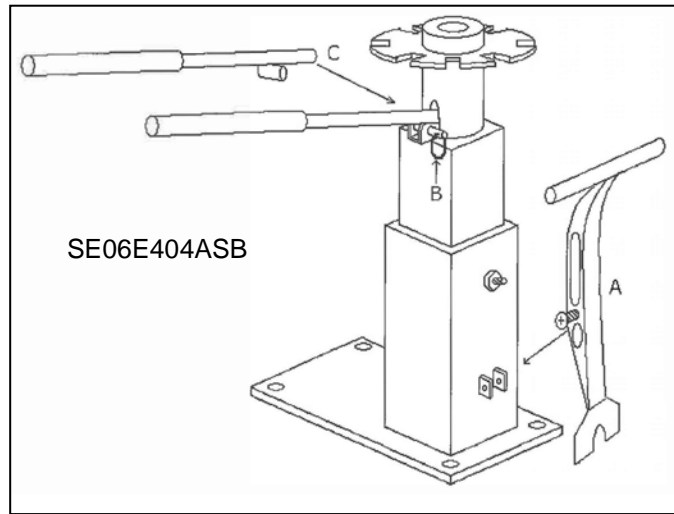
# ELECTRICAL SYSTEM – GC240, GC340, GC440



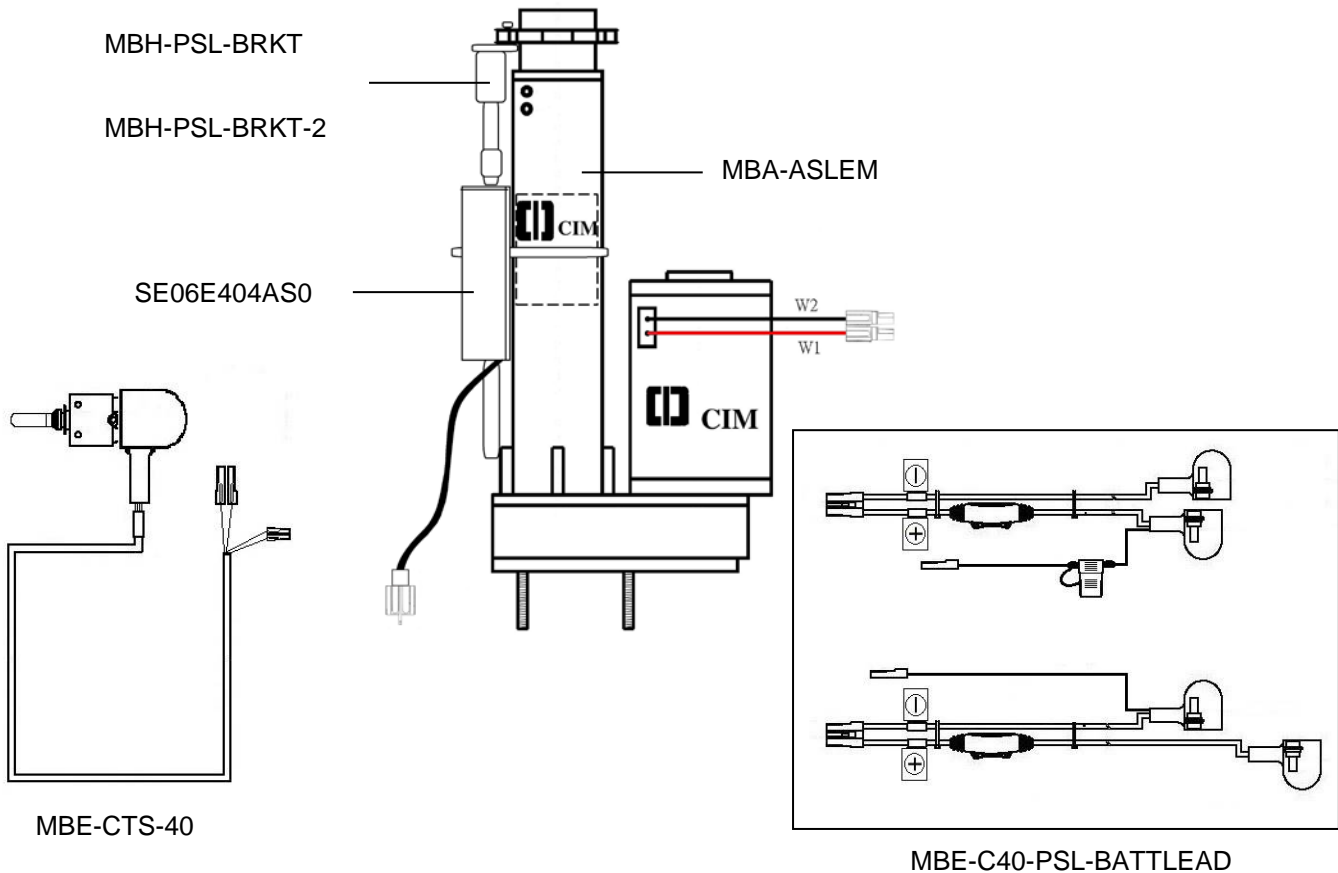
# ELECTRICAL SYSTEM – G2C40, GC340, GC440

<b>Dwg #</b>	<b>Golden Part Number</b>	<b>Description</b>
7	<b>3051600170</b>	Controller, 90 Amp Dynamic DR90-A01
7-1	<b>SE06E606</b>	Harness, Motor Front Intermediate for 240/340/440
7-2	<b>SE06E604</b>	Harness, Motor Rear Intermediate for 240/340/440
7-3	<b>SE06E602</b>	Circuit Breaker Assembly for GC240/340/440
7-4L	<b>SE06A612</b>	Cable, Battery for the Circuit Breaker for GC240, GC340, GC440 (Left) Compass GP605 (Front)
7-4R	<b>SE06A614</b>	Cable, Battery for the Circuit Breaker for GC240, GC340, GC440 (Right) Compass GP605 (Rear)
7-5	<b>MBE-BATTU1-BW</b>	Battery, U1
7-6	<b>MBE-LEDVM</b>	Voltmeter, LED
7-7	<b>MBM-C40-LIGHTWBTN</b>	Light, White Button GC240-340-440
7-8	<b>MBM-C40-RHB</b>	Red Horn Button GC240-340-440
7-9	<b>MBH-C40-KSWITCH</b>	Key Switch with New Cut for Scooters w/set of Keys
7-10	<b>MBE-C40-POT</b>	Speed Potentiometer
7-11	<b>SE06A607</b>	Horn, for Companion GC240/GC340/GC440
7-12	<b>SE06E603</b>	Paddle, Complete Assembly with Potentiometer for Companion GC240/340/440
7-13	<b>SE06A610</b>	Harness, Charger for 240/340/440
7-14	<b>MBE-CHG35A-STD</b>	Charger, 3.5A with XLR Connector and US Cord
7-15	<b>SE06E607</b>	Harness, Light Rear Intermediate for 240/340/440
7-16	<b>SE06A619</b>	Headlight Assembly with Short Harness and Spade Connector 240/340/440
7-17	<b>SE06E608</b>	Harness, Light Front Intermediate for 240/340/440
7-18	<b>SE08A601ASB</b>	Harness, Main Wire 1.2 Meter for Companion GC240/340/440

# MISCELLANEOUS ITEMS



**Comfort Ride**



**Power Seat Lift**



## MISCELLANEOUS ITEMS

Golden Part Number	Description
<b>MBE-BATT1240</b>	Battery, 12V/40AH
<b>MBE-CHG50A-STD</b>	Charger 5.0A
<b>LIT-GC-OWN</b>	Manual, Owner's FOR Companion 240/340/440
<b>LIT-GC-SMAN</b>	Manual, Service for Companion 240/340/440
<b>MBP-C2CBB</b>	Bottom, Cardboard Box 2 Piece Base for Companion GC240/340/440
<b>MBP-240BOX</b>	Box, Lid for GC240
<b>MBP-340BOX</b>	Box, Lid for GC340
<b>MBP-440BOX</b>	Box, Lid for GC440
<b>MBC-DXHHP</b>	Programmer, Dynamic
<b>ZZ-PROGRAM-C40A-CT</b>	Program for Companion GC240/340/440 VA CT Transaxle
<b>SE06E404ASB</b>	Shock, Comfort Ride Suspension for GC240/340/440
<b>SE06E404AS0</b>	Plate, Switch for Power Seat Lift with Harness (Must be ordered with MBA-ASLEM & MBH-PSL-BRKT/MBH-PSL-BRKT-2)
<b>MBA-ASLEM</b>	Motor, Power Seat Lift for Companion (Must be ordered with SE06E404As0 & MBH-PSL-BRKT/MBH-PSL-BRKT-2)
<b>MBH-PSL-BRKT</b>	Bracket, Power Seat for SE01E403B Swivel (Must be ordered with MBA-ASLEM & SE06E404AS0)
<b>MBH-PSL-BRKT-2</b>	Bracket, Power Seat for MBX-C40-SSA (Must be ordered with MBA-ASLEM & SE06E404AS0)
<b>MBE-C40-PSL-BATTLEAD</b>	Cable, Battery Power Seat with Extra Lead (Set)
<b>MBE-CTS-40</b>	Switch, Power Seat Lift Toggle and Wiring
<b>MBA-C40-GS</b>	Strap, Grounding 1 1/16 x 30 Inch

# ACCESSORIES

Golden Part Number	Description
<b>MBA-CCOVER</b>	Cover, Black for Companion GC221/321/421/240/340/440
<b>MBA-CRUTCH</b>	Holder, Forearm Crutch
<b>MBA-CANEHT</b>	Tube, Cane Holder
<b>MBA-GTFLAG</b>	Orange Flag with Golden Logo
<b>MBA-RBASK</b>	Basket, Rear
<b>MBA-UNV-CUPH</b>	Cup Holder, Universal
<b>MBA-OXYTH2</b>	Holder, Oxygen Tank with 5.375" Mounting Tube for Stadium Seat
<b>MBA-OXYTH</b>	Holder, Oxygen Tank with 9" Mounting Tube for Highback Seat
<b>MBA-WALKH2</b>	Holder, Walker (Includes Clamp) with 5.375" Mounting Tube for Stadium Seat
<b>MBA-WALKH</b>	Holder, Walker (Includes Clamp) with 9" Mounting Tube for Highback Seat
<b>MBA-QCH02</b>	Holder, Quad Cane with 5.375" Mounting Tube for Stadium Seat
<b>MBA-QCH01</b>	Holder, Quad Cane with 9" Mounting Tube for Highback Seat
<b>MBA-BAG-GSBP</b>	Golden Travel Case
<b>3003700030</b>	Mirror, Set of Left and Right for Companion GC240/340/440 and Buzz GB106 after January 2010
<b>MBM-SB60</b>	Belt, Seat 60"
<b>MBM-SB78</b>	Belt, Seat 78"
<b>MBA-BAG-ARM</b>	Bag Armrest